

PROJECT NAME

Type _____ Date _____

SPECIFICATIONS



Solar Module Efficiency	Monocrystalline silicon cells, processed by Photinus 20%
Max Performance P_{mp}	108 Wp* / 4 Solar Modules. <i>Modules also charge in cloudy conditions</i> *Wp = Watt Peak: maximum power output under standard conditions
Voltage	12V DC or 24V DC or CC (Constant Current)
Wattage	4.5W–30W (contingent upon install location, contact manufacturer)
Protection Class	IK06
Battery	LiFeP04 / 512 Wh (12.8 V 40Ah)
Operating Temperature	-4°F to 140°F (-20°C to 60°C)
Battery Life	Up to 10 years
Protection Class	IP65
Material	Aluminum
Finish	Powder coat
Weight	59.5 lb. [27kg]
Salt Spray Test	ISO 9227:2012
Warranty	3 Years
OPTIONAL GTE5201	
Source	LED
CCT	2700K, 3000K, 3500K, 4000K, 5000K
Lumens	820 Lm – 1800 Lm
Wattage	6W–12W
Voltage	24 V DC
Location	Listed IP66

ORDER CODE

Model	Time Management	Voltage	Tower Mounting	Finish	Options	Location	*only if GTE5201 was selected under "Options"			
							C.C.T.*	Wattage*	Beam Angle*	Fixture Mounting*
MARA			SM	D						
	V0 = No Time Management V3 = Continuous lighting 100% V3M = Light-on-Demand, requires PIR/PILG option, reduction to 10% and activated at 100% when triggered V4 = Night-time reduction to 40% V5 = Standard Setting V6 = Night-time reduction to 0%	12V = 12V DC 24V = 24V DC CC = Constant Current	SM = Surface Mount	D = Dark	00 = Third Party Light Fixture GTE5201 = Light Fixture PIR/PILG = Sensor	ADDRESS = Provide Full Address of Installation	[blank] = No Light Fixture 27 = 2700K 30 = 3000K 35 = 3500K 40 = 4000K 50 = 5000K	[blank] = No Light Fixture 5201A3 = 6W 5201B3 = 12W	[blank] = No Light Fixture BL60D = 60° Symmetric BL90D = 90° Symmetric BL120D = 120° Symmetric BDF120 = 120° Asymmetric	[blank] = No Light Fixture MBU = U Bracket MSC60 = Slip Fitter Ø 2.5" (65mm) MSC79 = Slip Fitter Ø 3.3" (85mm)

Example order code: **MARA – V5 – 24V – SM – D – 00 – JOHN ROSS PKWY, PMB 29, ROCK HILL, SC 29730**

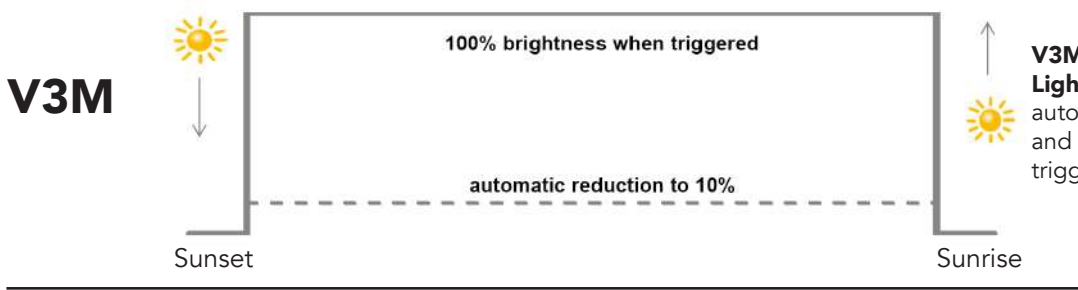
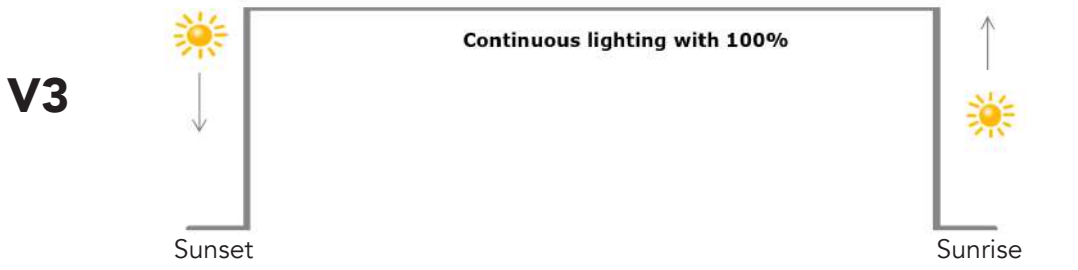
STANDARD WATTAGE OUTPUT

For information purposes only.
Final luminaire settings are contingent upon install location and desired wattage and lumen output.

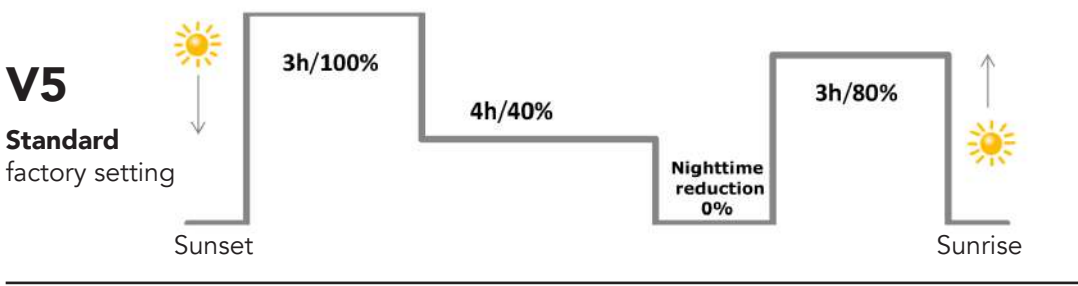
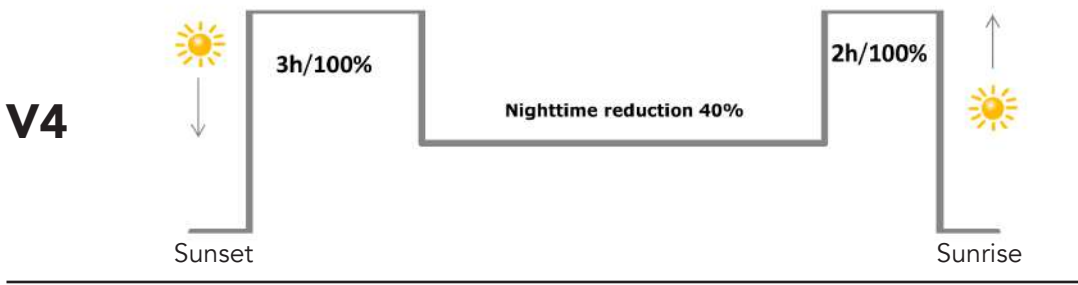
SEATTLE, WA — latitude 47.608013		
Model	Time Management	Wattage
MARA	V5 = Standard Setting	4.5 W
	V3M = reduction to 10% and activated at 100%	7.0483 W
	V3 = continuous lighting at 100%	2.08 W
	V4 = Night-time reduction to 40%	3.2692 W

PALM SPRINGS, CA — latitude 33.830517		
Model	Time Management	Wattage
MARA	V5 = Standard Setting	15.1167 W
	V3M = reduction to 10% and activated at 100%	29.3492 W
	V3 = continuous lighting at 100%	7.0483 W
	V4 = Night-time reduction to 40%	12.3737 W

ENERGY AND TIME MANAGEMENT



V3M
Light-on-Demand functionality, with automatic reduction to 10% brightness and full activation at 100% when triggered. **Requires PIR/PILG sensor.**



MARA

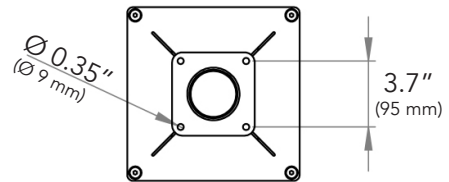
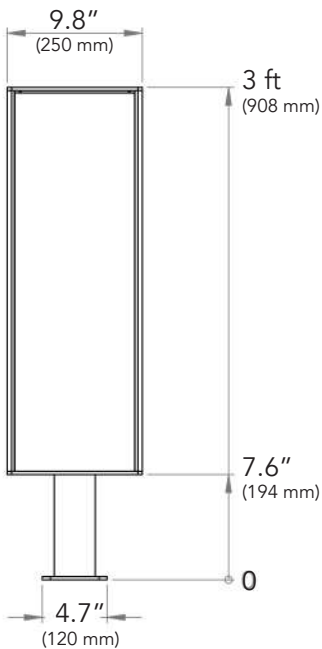
SOLAR POWER SUPPLY

TOWER FINISH



D
Sparkling Iron Effect Dark
Tiger 29/70787
Powder Coat

TOWER DIMENSIONS



OPTIONS

PIR/PILG

Each luminaire can be fitted with a PIR-sensor, a controller and an antenna. To control the luminaire in real time, only one luminaire has a GPS-controller as well as a GPS-antenna. This enables the luminaires to communicate among each other and control the demand responsive light in real time.



GTE5201 Light Fixture



PHOTOMETRICS (GTE5201 OPTIONAL)

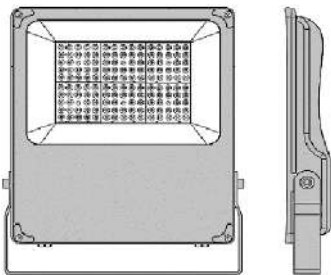
Beamspread 60°, 90°, 120°						
Model	Source	Watts	CCT	Lumens	CRI	Power Factor
GTE5201 A3	24x1W SMD 2835	6W	2700K	820 lm	RA80	> 0.9
			3000K	860 lm		
			3500K			
			4000K	900 lm		
			5000K			
			6500K			
GTE5201 B3	48x1W SMD 2835	12W	2700K	1630 lm	RA80	> 0.9
			3000K	1720 lm		
			3500K			
			4000K	1800 lm		
			5000K			
			6500K			

NOTE

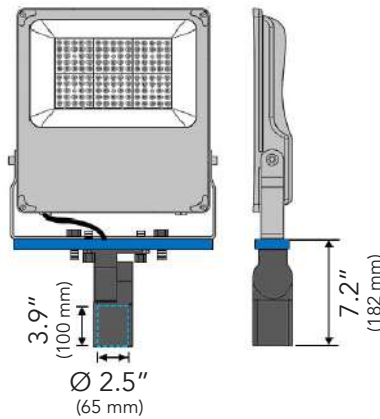
All parameters are measured at 25°C ambient temperature, 35% humidity experimental environment. Tolerances of power and luminous flux are ±10%, tolerance of color rendering index is ±5.

FIXTURE MOUNTING (GTE5201 OPTIONAL)

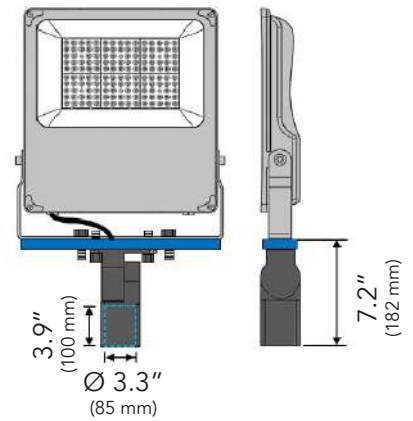
MBU
U Bracket



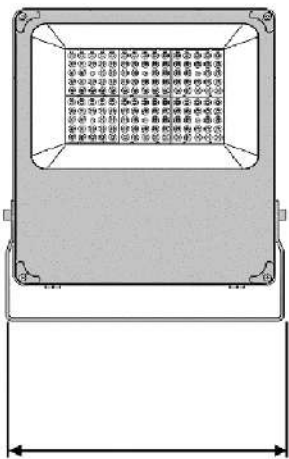
MSC60
Slip Fitter Ø 2.5" (65 mm)



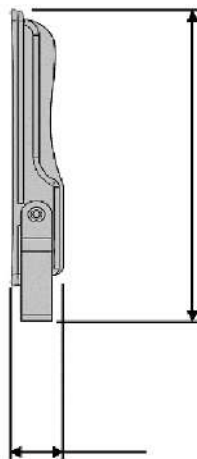
MSC79
Slip Fitter Ø 3.3" (85 mm)



FIXTURE DIMENSIONS (GTE5201)



5201A3 = 4.8" (123 mm)
5201B3 = 6.6" (169 mm)



5201A3 = 1.8" (47 mm)
5201B3 = 2" (51 mm)

5201A3 = 7.4" (188 mm)
5201B3 = 9.8" (248 mm)