

brilliance in solar lighting

photinus



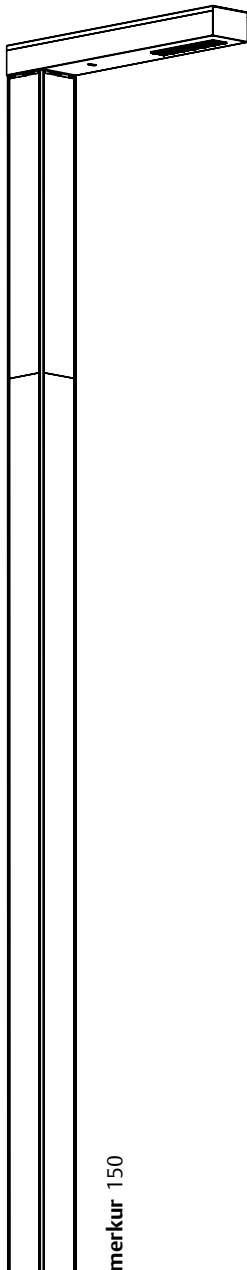
**GERMAN
DESIGN
AWARD
WINNER
2019**

INSTALLATIONSANLEITUNG INSTALLATION INSTRUCTION

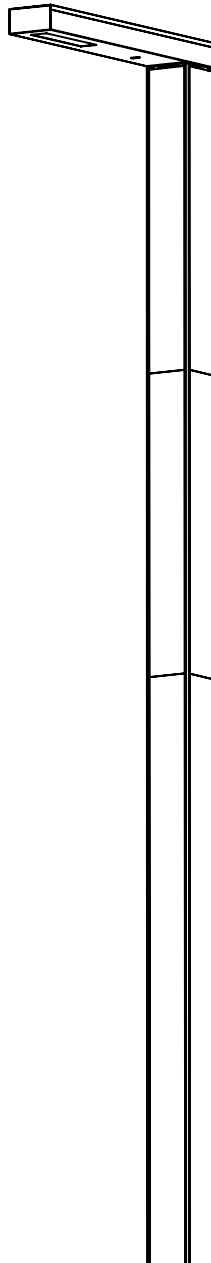
V.1 | 2021

merkur 150 / 300

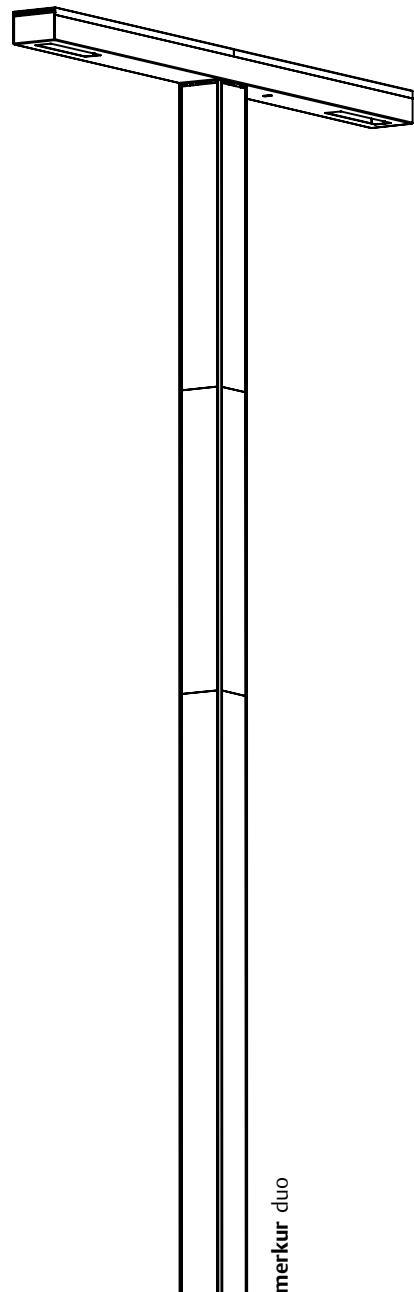
INSTRUCTIONS ALSO APPLY TO LUNA



merkur 150

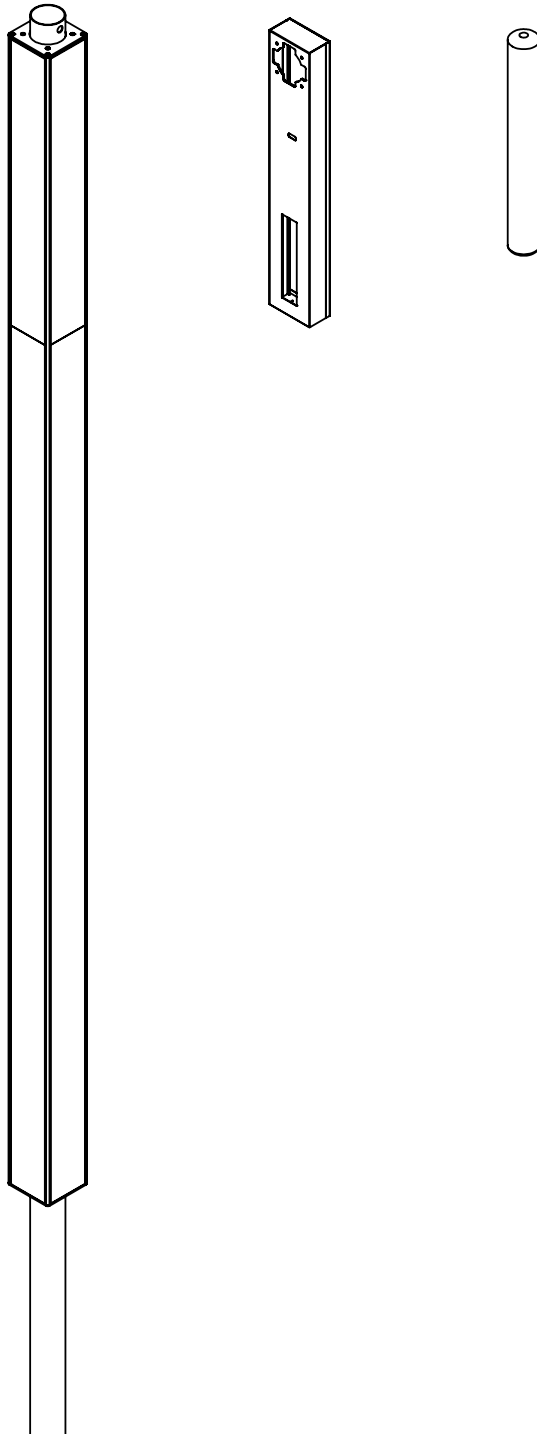


merkur 300



merkur duo

LIEFERUMFANG / INCLUDED PARTS

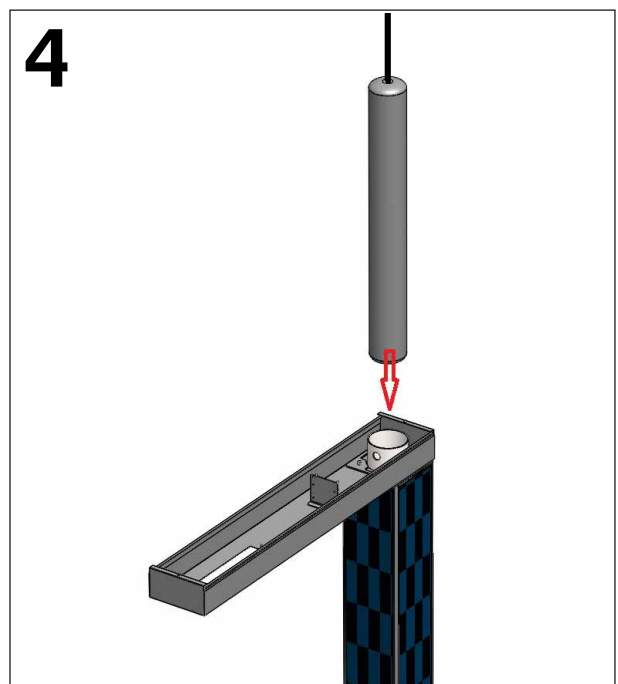
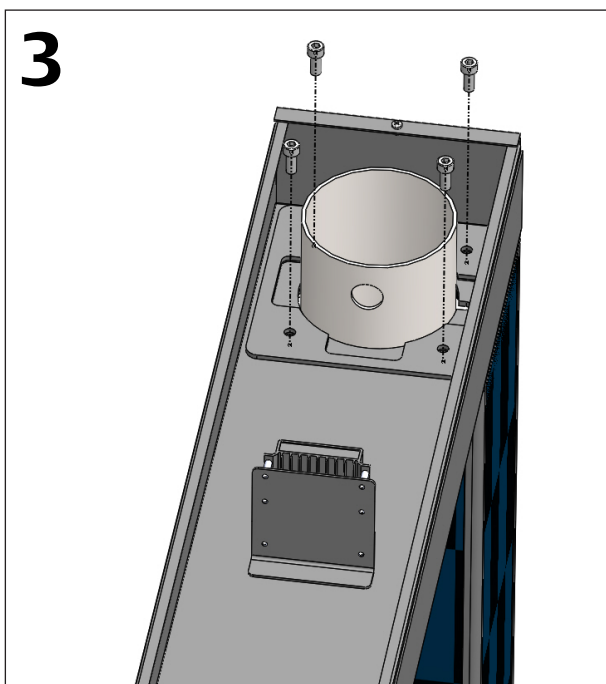
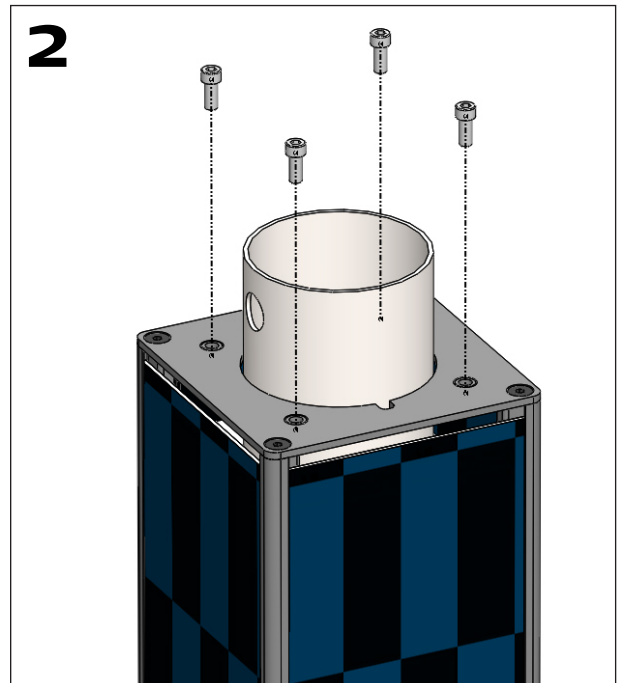
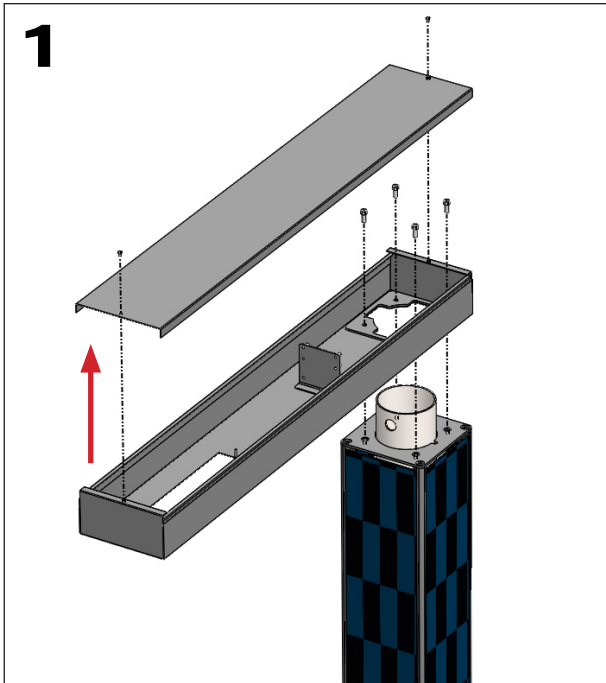


BENÖTIGTES WERKZEUG IHRERSEITS / TOOLS REQUIRED

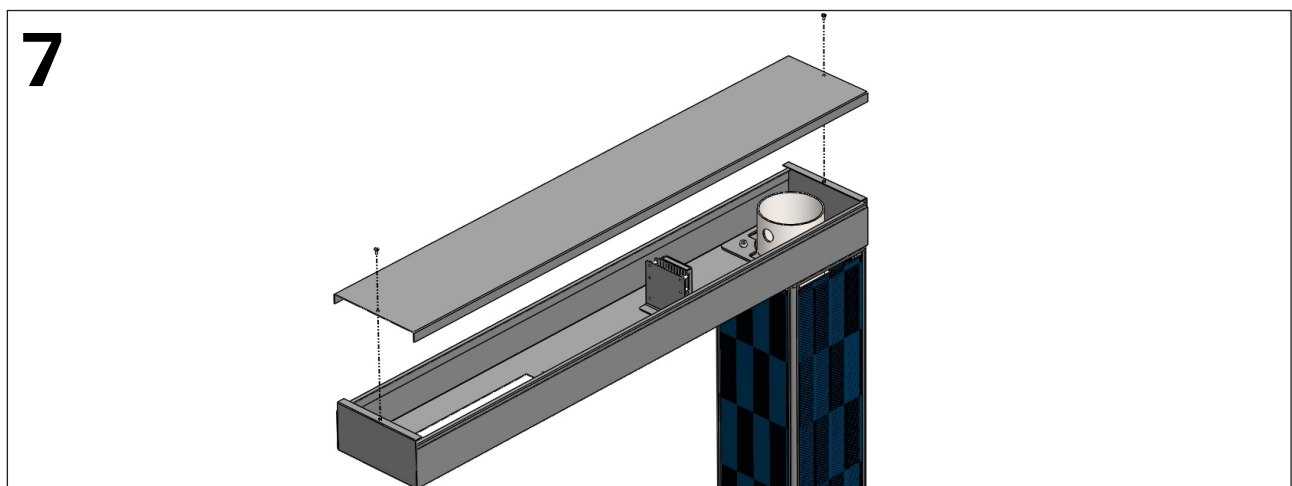
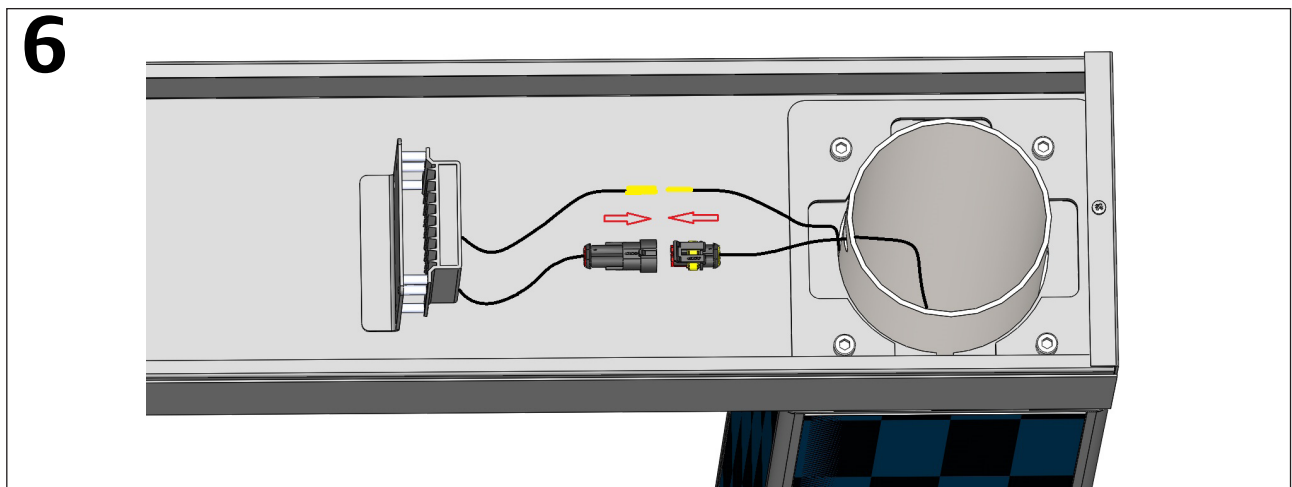
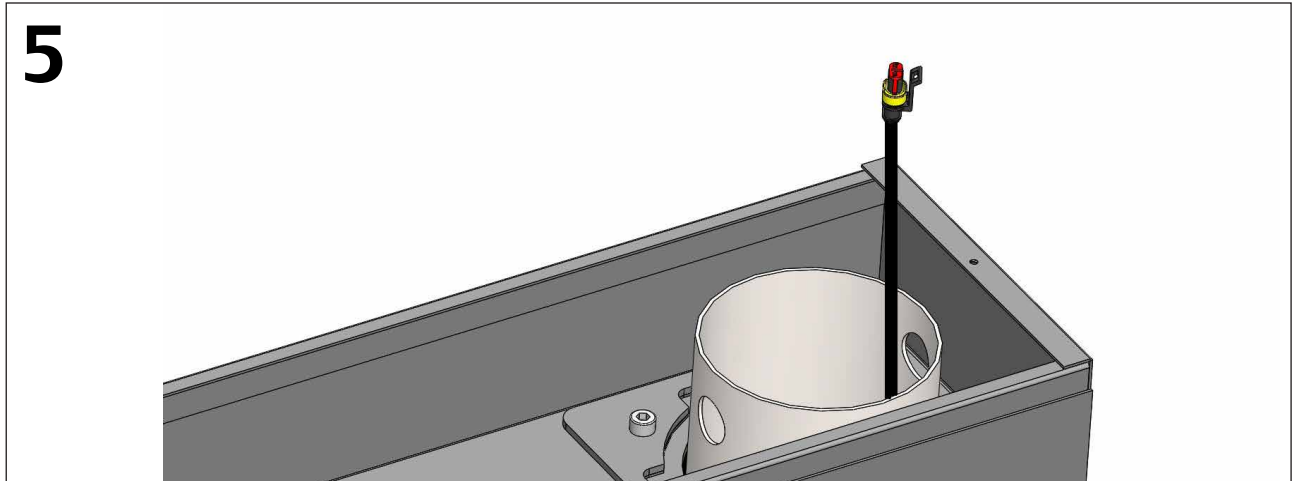
1 Inbusschlüssel / Allen Wrench 6 mm

1 Kreuzschraubenzieher / crosstip screwdriver

LICHTGEHÄUSE / LIGHT HOUSING



LICHTGEHÄUSE / LIGHT HOUSING



MONTAGEMÖGLICHKEIT - ROHRFUNDAMENT

MOUNTING POSSIBILITY - PIPE FOUNDATION

