

CERES

SOLAR BOLLARD

PROJECT NAME

Type _____ Date _____

SPECIFICATIONS



Source	LED
CCT	3000K standard
Efficiency	200lm/W
Power	Max 30W
L80 Life	> 75,000 hours
Location	Listed IP65
Solar Module Performance	Monocrystalline silicon cells, processed by Photinus 4 solar modules x 30–40 Wp*, modules also charge in cloudy conditions
Battery	LiFeP04 / 230.4 Wh (12.8V 18Ah)
Operating Temperature	-45°C to +65°C (-49°F to +149°F)
Battery Life	Up to 10 years
Protection Class	IPX8
Material	Aluminum
Finish	Powder coat
Weight	56.2 lb. [25.5kg]
Salt Spray Test	ISO 9227:2012
Warranty	3 Years

* Wp = Watt Peak: maximum power supplied in standard conditions.

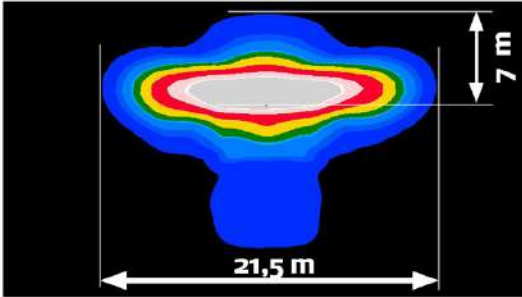
ORDER CODE

Model	Modules	C.C.T.	Optic	Time Management	Mounting	Finish	Options
CERES	<p>1080 = 4 Solar modules at 30Wp*</p> <p>1200 = 3 Solar modules at 30Wp with 1 side logo/graphics*</p> <p>1400 = 4 Solar modules at 40Wp*</p> <p>NORDIC 1600 = 4 Solar modules with snow base*</p> <p>* Final luminaire dependent on install location and desired lumen output.</p>	<p>30 = Standard 3000K</p>	<p>T2</p> <p>T3</p> <p>T4-B</p> <p>VSM</p> <p>SCL</p>	<p>V5 = Standard Setting</p> <p>V3 = Continuous lighting 100%</p> <p>V4 = Night-time reduction to 40%</p> <p>V6 = Night-time reduction to 0%</p> <p>• other time management options upon request. consult factory</p>	<p>PF = Pipe Foundation</p> <p>ABO = Anchor Base with Opening**</p> <p>ABC = Anchor Base Closed**</p> <p>**ABO/ABC surface mount available upon request. consult factory</p>	<p>D = Dark</p>	<p>[blank] = None</p> <p>LOG = Add logo/ graphics</p>

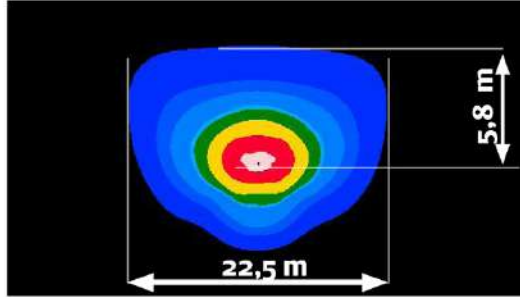
Example order code: **CERES – 1400 – 30 – T3 – V5 – PF – D**

PHOTOMETRICS

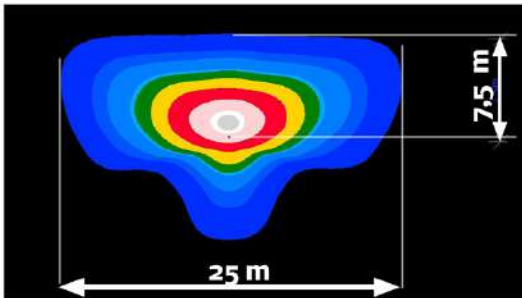
T2



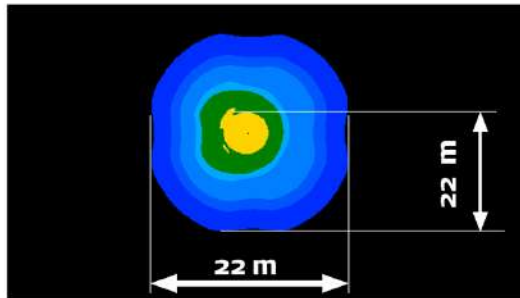
T4-B



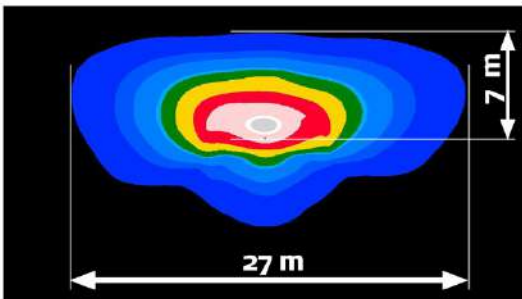
T3



VSM

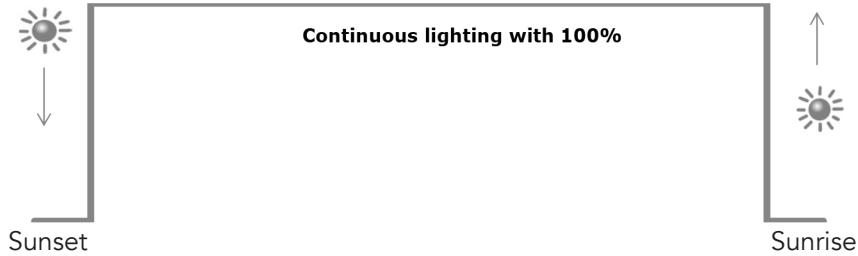


SCL

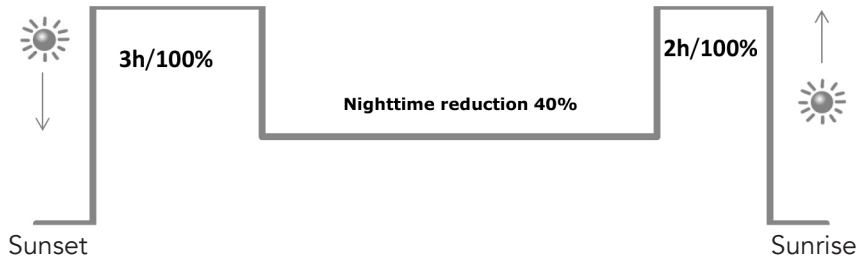


ENERGY AND TIME MANAGEMENT

V3

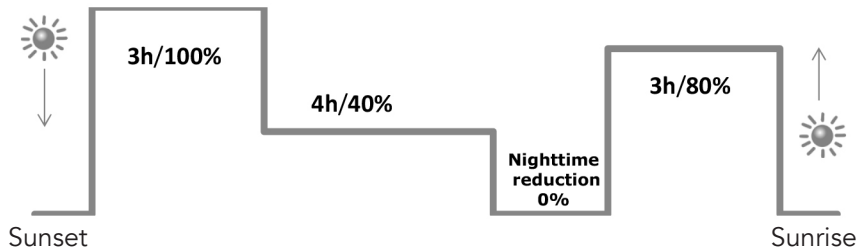


V4

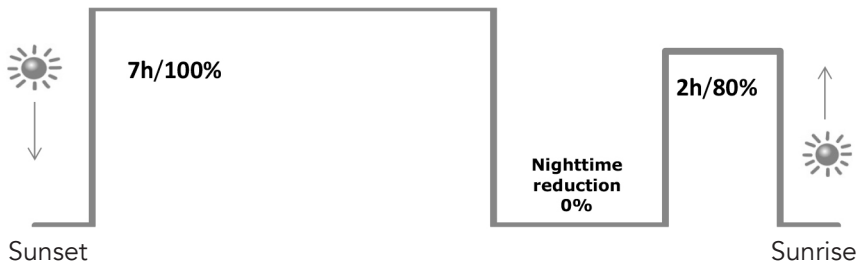


V5

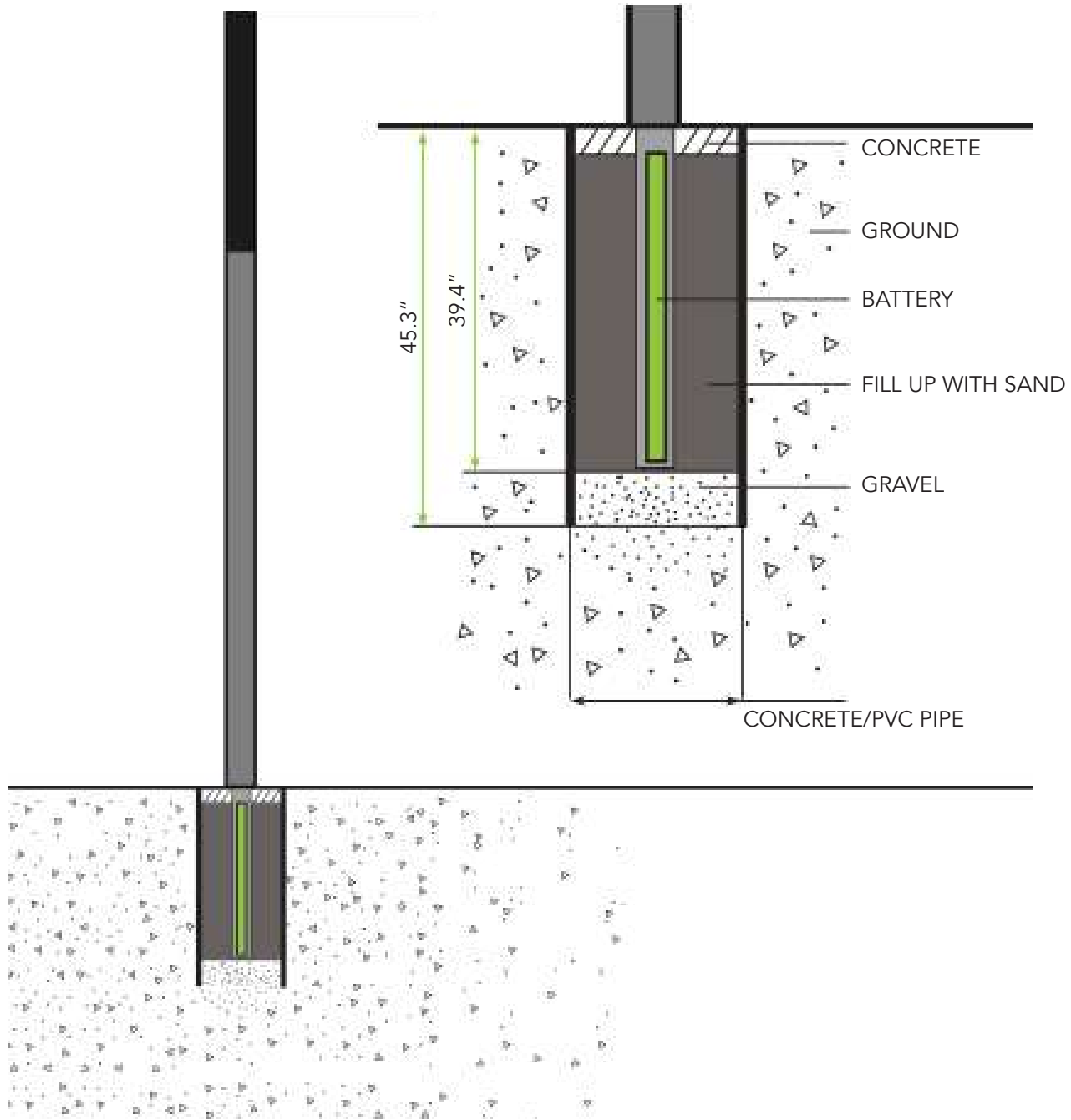
Standard
factory setting



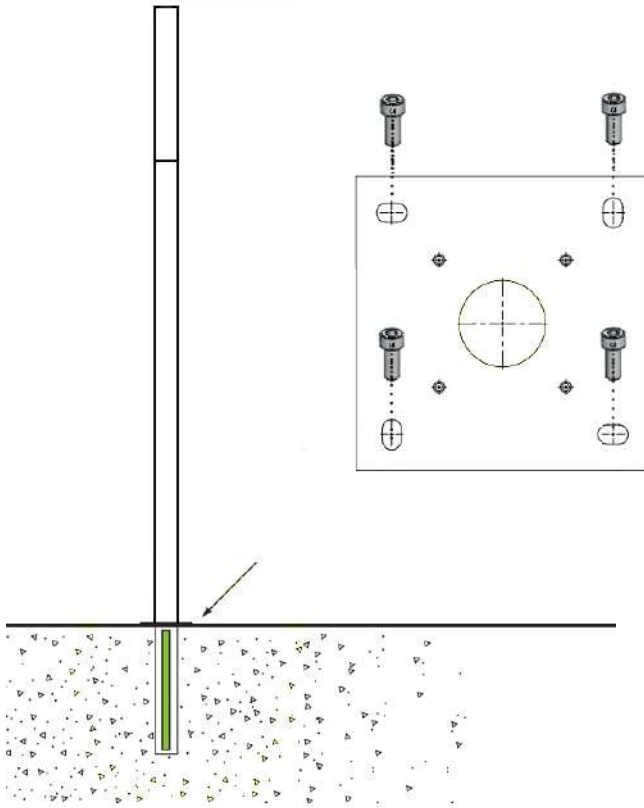
V6



MOUNTING OPTION 1 — PIPE FOUNDATION — PF



MOUNTING OPTION 2 — ANCHOR BASE

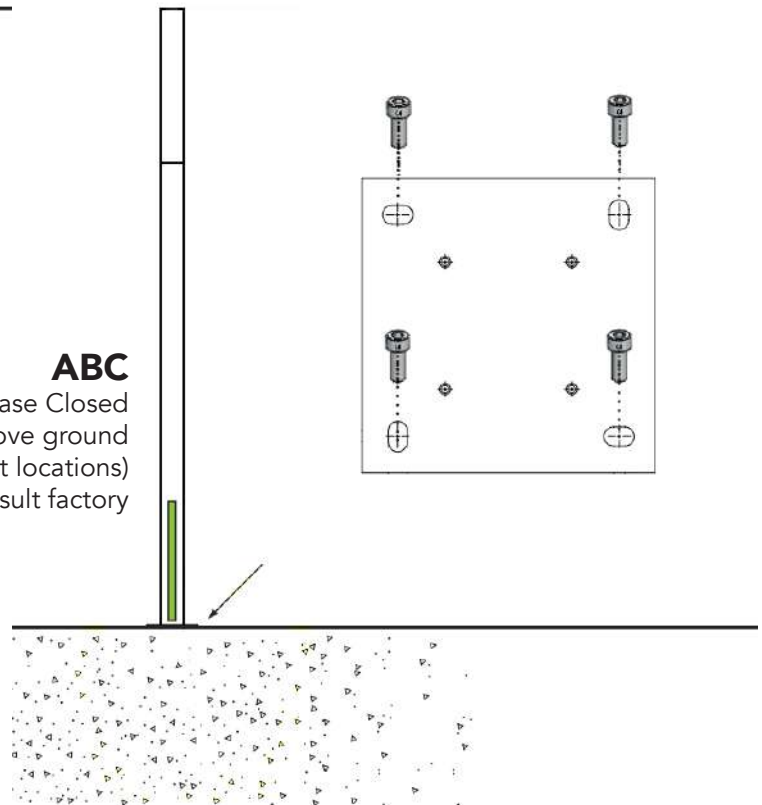


ABO

Anchor Base with Opening
Battery placed underground

*Consult factory

ABC
Anchor Base Closed
Battery placed above ground
(not viable for very cold or very hot locations)
*Consult factory



CERES

SOLAR BOLLARD

FINISH

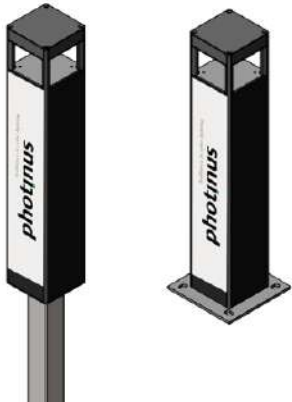


D
Sparkling Iron Effect Dark
Tiger 29/70787
Powder Coat

OPTIONS

LOG

Logo or graphics on 1 side and 3 Solar Modules. Viability to be determined by the manufacturer dependent on install location and desired lumen output.

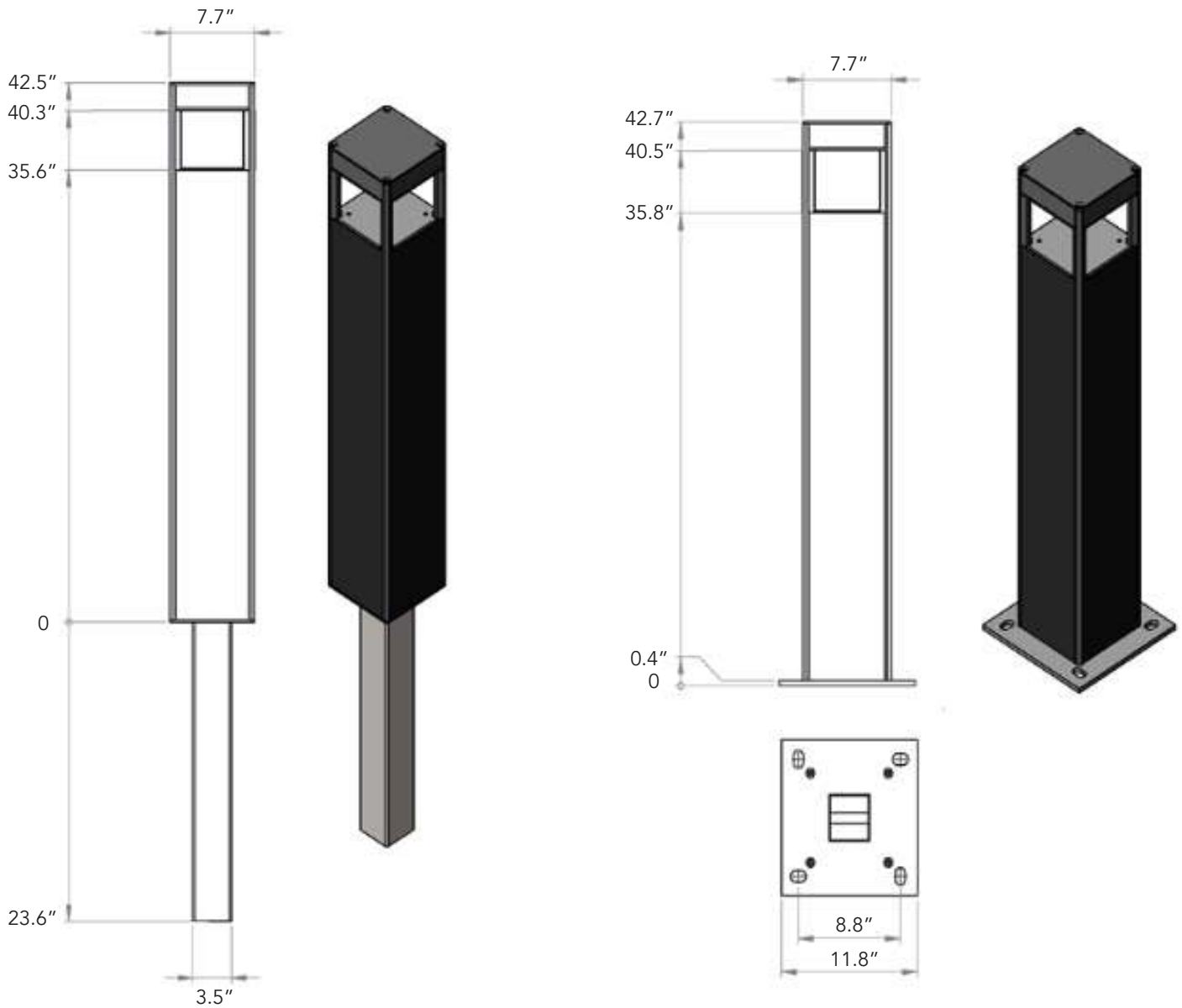


CERES

SOLAR BOLLARD

DIMENSIONS — CERES 1080

For information purposes only. The height and number of solar panels needed will be determined by the manufacturer to suit the solar intake necessary for each project. Final luminaire height dependent on install location and desired lumen output. Drawings provided upon request.

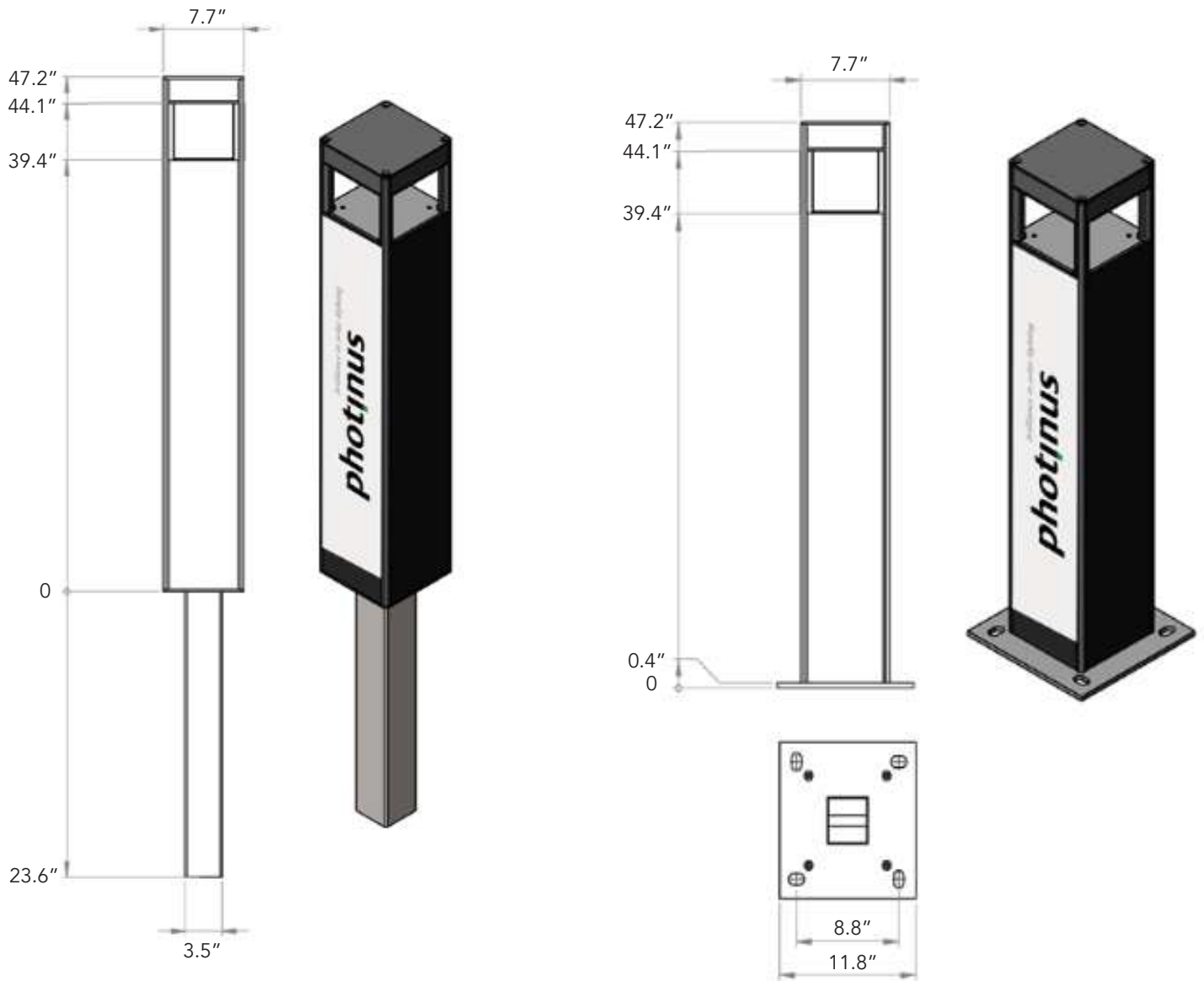


CERES

SOLAR BOLLARD

DIMENSIONS — CERES 1200

For information purposes only. The height and number of solar panels needed will be determined by the manufacturer to suit the solar intake necessary for each project. Final luminaire height dependent on install location and desired lumen output. Drawings provided upon request.

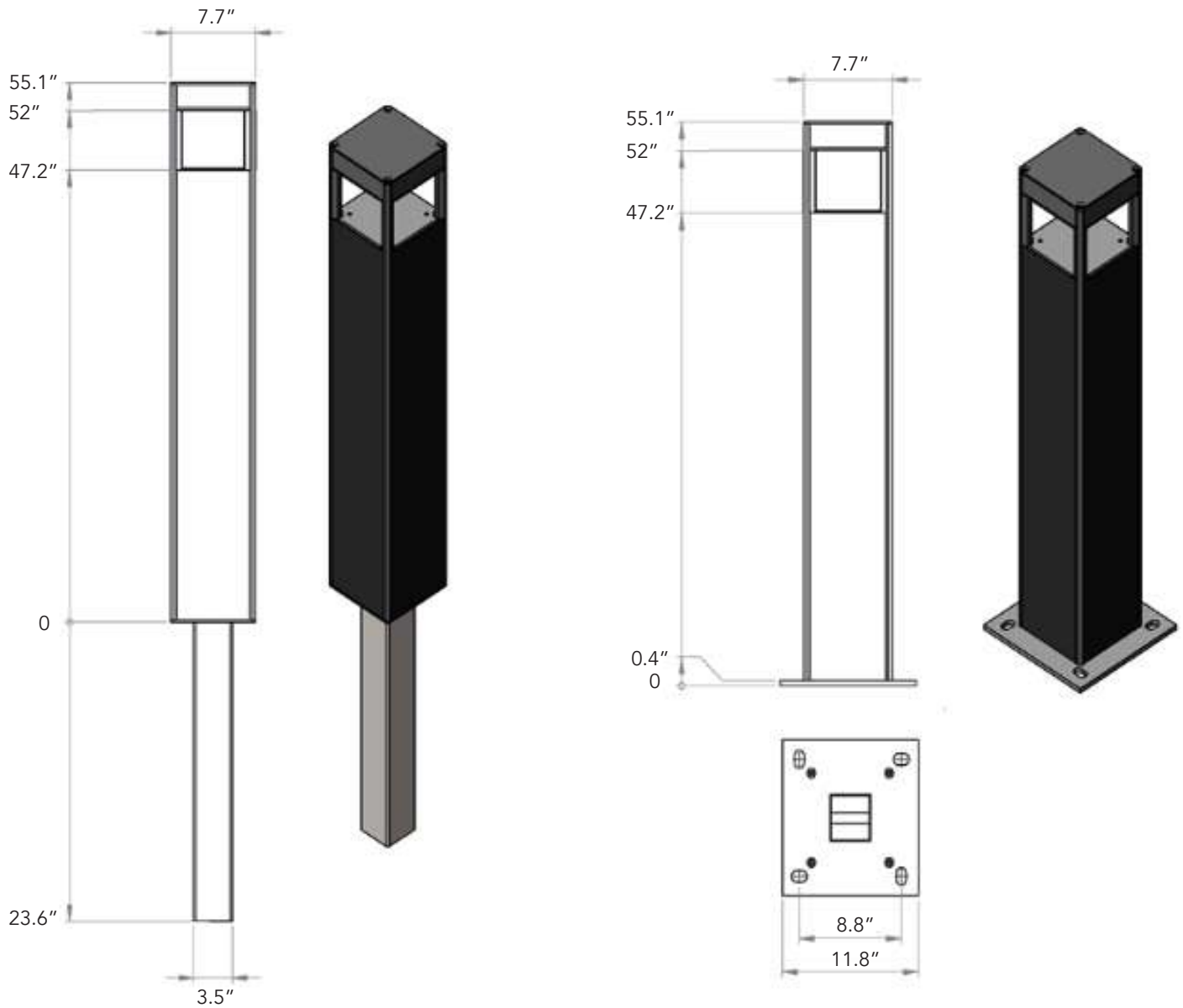


CERES

SOLAR BOLLARD

DIMENSIONS — CERES 1400

For information purposes only. The height and number of solar panels needed will be determined by the manufacturer to suit the solar intake necessary for each project. Final luminaire height dependent on install location and desired lumen output. Drawings provided upon request.



DIMENSIONS — CERES NORDIC 1600

For information purposes only. The height and number of solar panels needed will be determined by the manufacturer to suit the solar intake necessary for each project. Final luminaire height dependent on install location and desired lumen output. Drawings provided upon request.

